

# 6-key Aluminum RF Controller Manual

## Product Specifications

**Model Name: LP-RFL6A**



***This product warranty is 2 years ( exclude the artificial situation of damaged or overload working )***

Before installing this product, Please read this manual carefully. Ensure full understanding of this specification to avoid unnecessary damage and additional costs.

## Product Description

6-key RF controller adopts the advanced micro control unit, it is used for controlling a variety of lamp whose source of light is LED. For instance, point source of light, flexible light strip, wall washer lamp, and glass curtain wall light and so on; it has many advantages such as low price, easy connection and simplicity to use. Meanwhile, you could adjust brightness, static color choices and various dynamic changes in lighting effects through wireless remote control. And according to the actual need of customers, it can carry out jumpy changing, gradual changing, strobe flash and other effects of change.

## External Dimension

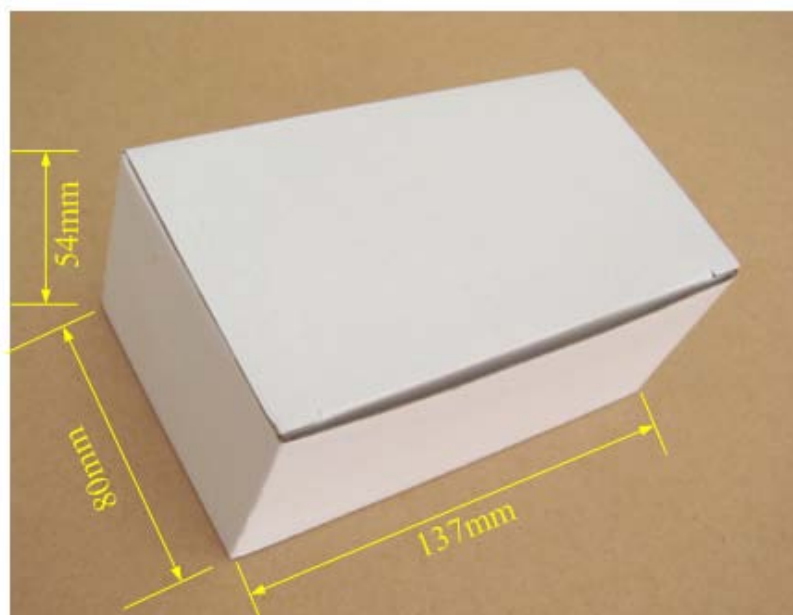
(Controller)



(Remote control)



(Packing size)



## Technical Parameters

Working temperature	-20-60°C
Supply voltage	DC5V, 12V~24V optional (specify the required voltage on orders)
Output	3 channels
Connecting mode	common anode/cathode optional (specify the required voltage on orders)
External dimension	L130*W64*H24 mm
Packing size	L137*W80*H54mm
Net weight	185g
Gross weight	215g
Static power consumption	<1W
Output current	<4A(each channel)
Output power	5V:<60W, 12V:<144W, 24V:<288W

## Interface Specifications

Power input interface (port1):



Adopt conventional power transport as a DC power input interface.

Power input interface (port2):



Adopt male and female connector with screw.

Load output interface:









Adopt male and female connector with screw.

### Direction for use

- Connect the load wire at first, following by the power wire; **Please ensure short circuit can not occur between connecting wire before you turn on the power;**
- Adopt wireless control method, 6 keys in total, function of each button as below::



Symbol	Button Name	Instruction
	<b>On/off</b>	The output switch, turn on or off the controller output at any state.
	<b>Mode selection</b>	The style/color function key. You can choose different color changes, each press one time, change a light style.

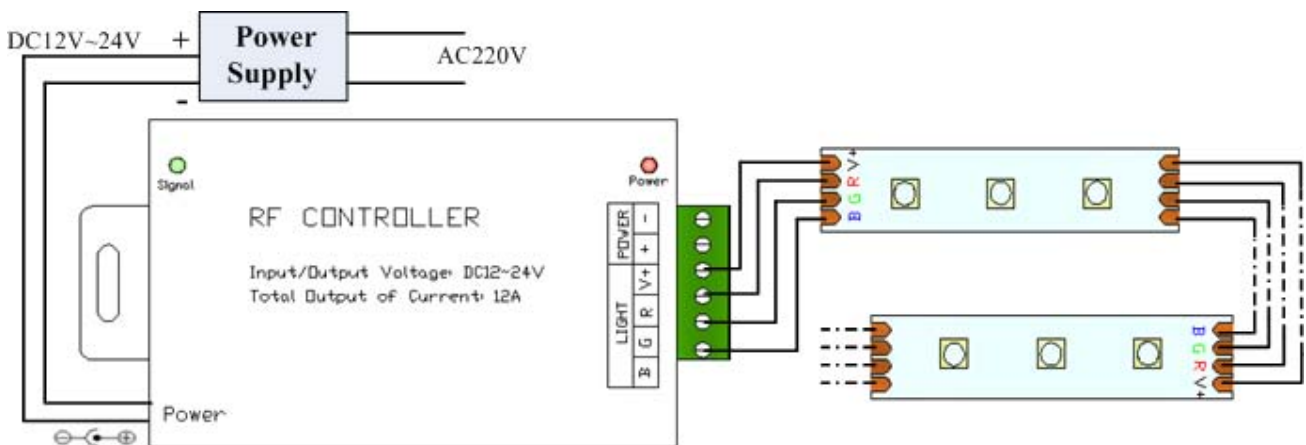
	<b>Brightness down</b>	Controls the brightness of output signal, each press brightness level -1.
	<b>Brightness up</b>	Controls the brightness of output signal, each press brightness level +1, 256 levels in total.
	<b>Speed down</b>	to speed down lighting color changing, with continuous reception.
	<b>Speed up</b>	to speed up lighting color changing, with continuous reception.

- Each press, the green light flash one time, indicating that has entered the next state.
- Standard color changes as follows:

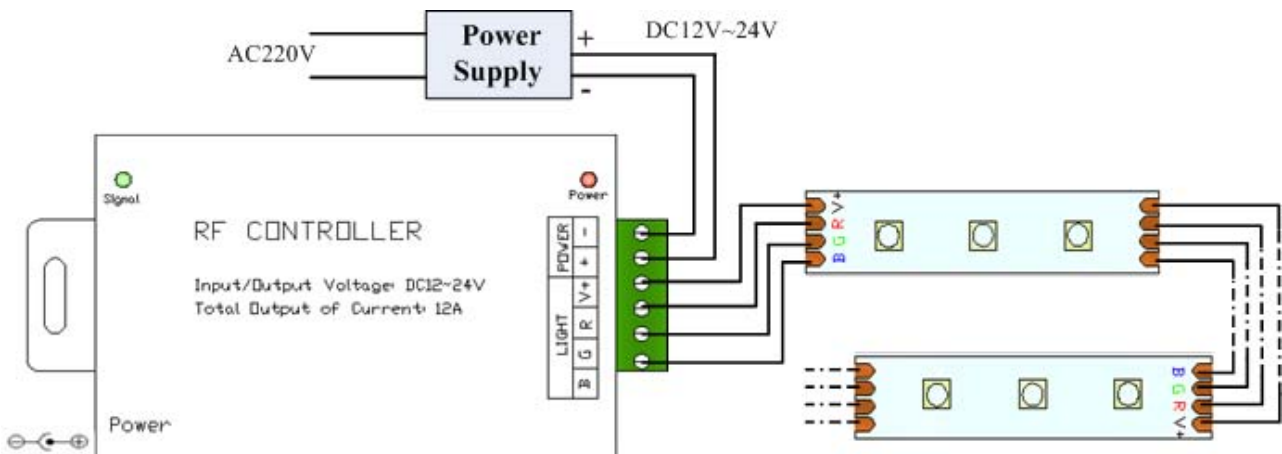
No	Patterns	Remarks	No	Patterns	Remarks
1	Static red	Brightness is adjustable, Speed is unadjustable.	12	Red stroboflash	Speed and Brightness are adjustable
2	Static blue		13	Blue stroboflash	
3	Static purple		14	Purple stroboflash	
4	Static green		15	Green stroboflash	
5	Static yellow		16	Yellow stroboflash	
6	Static cyan		17	Cycan stroboflash	
7	Static white		18	White stroboflash	
8	Three-color jumpy changing	Speed and brightness are adjustable	19	R/B crossfade	Speed is adjustable, brightness is unadjustable
9	Seven-color jumpy changing		20	B/G crossfade	
10	Three-color gradual changing		21	G/R crossfade	
11	Seven-color gradual changing	unadjustable			

## Typical Applications

Application Circuit1:



Application Circuit2:





## Notes

1. Supply voltage of this product is DC12V~24V, never connect to others or AC220V.
2. Wireless Remote Control is powered by DC12V battery, if Stretch the antenna, it would Control better.
3. Lead wire should be connected correctly according to grade that connecting diagram offers.
4. If the load is more, by way of port 2 to connect the power will be better.
5. This product is not to overload;
6. Warranty of this product is two years, but exclude the artificial situation of damaged or overload working.

## Common Problems

Problems	Possible cause	Solution
1. Lamp does not light after power	Power cord is not properly connected, or there is not output switching power supply	Connect the power cord properly or replay the power
	Lamp power cord is not connected or short circuit	Connected lighting power cord
2. After connecting some of the load the controller does not work	The connected load is too large, so that it has burned in some of the components of the controller	Replace parts of components or replace the controller