

# 8-key Wireless Symphony LED Controller with Screen Manual

## Product Specifications

Model Name: LP-RF6803



*This product warranty is 2 years ( exclude the artificial situation of damaged or overload working )*

Before installing this product, Please read this manual carefully. Ensure full understanding of this specification to avoid unnecessary damage and additional costs.

## General Description

This controller is design for led production which uses LPD6803 as driver; it is very useful for light box advertisement, stage light, house decorating, and so on.

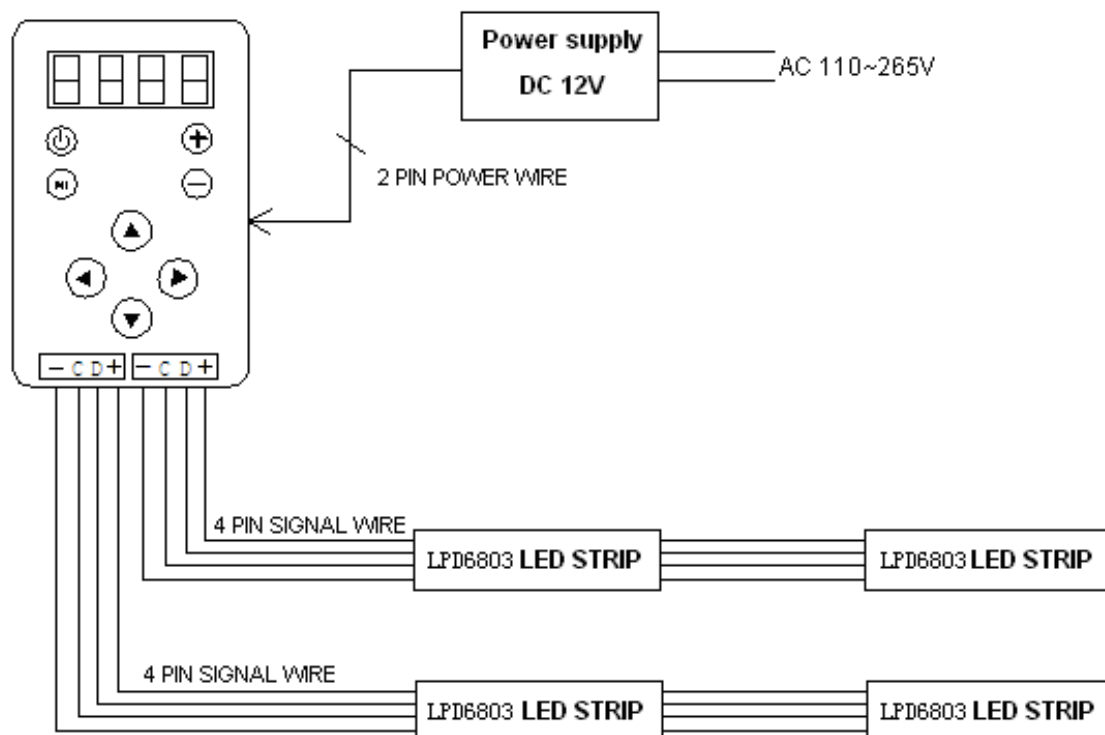
## Specification

- Working temperature: -20- 60 °C
- Product size: L90×W60×H25mm
- consume power: 2.2W
- Supply voltage: DC12V
- Weight: 75g
- Output: Tow group SPI signal

## Function & Feature

- Length setup function
- Memory function
- A lot of programs to chose
- With digital tube, left two reveal the mode, right two reveal the speed

## Connecting diagram



## Function of controller panels

- 🔴 ON/OFF button. it can open or close led anytime, when led is on the station of closing, The digital tube will display "P\*\*\*", "\*\*\*" is the value of current setting.
- ▶ Play/pause button, pressing this button to pause, you can see the static affection of led.
- ⊕ Adding button, to add the IC NUMBER, the most number is 500 (1500 group of RGB)

- ➔ Reducing button, to reduce the IC NUMBER, the least number is 3 (9 group of RGB)
- ⬆ Program choosing button, up direction, there are 94 programs in all.
- ⬇ Program choosing button, down direction.
- ⬅ Speed slow button, there are 99 step in all, the most number is 99.
- ▶ Speed quick button, the least number is 1.

## Function of remote panels

ON/OFF: ON/OFF button, it can open or close led anytime.

MODE: Play/pause button, pressing this button to pause, you can see the static affection of led.

S+: Speed quick button, the least number is 1

S-: Speed slow button, there are 100 step in all, the most number is 100

B+: Program choosing button, up direction, there are 94 programs in all.

B-: Program choosing button, down direction.

## PROGRAM Description:

NO.	Function Description	NO.	Function Description
1	Static red	48	Yellow breathing lamp to sides direction
2	Static green	49	Cyan breathing lamp to sides direction
3	Static blue	50	Purple breathing lamp to sides direction
4	Static yellow	51	White breathing lamp to sides direction
5	Static cyan	52	Seven color wave backward direction
6	Static purple	53	Seven color wave forward direction
7	Static white	54	Seven color lower curtain
8	Three color jumpy change	55	Seven color draw curtain
9	Three color gradually change	56	Seven color duet
10	Seven color jumpy change	57	Seven color water move backward direction
11	Seven color gradually change	58	Seven color water move forward direction
12	Red horse race lamp forward direction	59	Seven color water move back-for-ward direction
13	Green horse race lamp to backward direction	60	Seven color raindrop
14	Blue horse race lamp forward direction	61	Seven color jump flash draw curtain
15	white horse race lamp backward direction	62	Seven color jump flash to sides direction
16	Seven color horse race lamp forward direction	63	Seven color jump flash lower curtain
17	Seven color horse race lamp backward direction	64	Seven color jump flash to middle direction
18	Seven color horse race lamp back-for-ward direction	65	Seven color raindrop to sides direction
19	Overall flicker	66	Red raindrop to sides direction
20	Seven color scan lamp back-for-ward direction	67	Green raindrop to sides direction
21	Red scan lamp back-for-ward direction	68	Blue raindrop to sides direction
22	Green scan lamp back-for-ward direction	69	Yellow raindrop to sides direction
23	Blue scan lamp back-for-ward direction	70	Cyan raindrop to sides direction
24	Yellow scan lamp back-for-ward direction	71	Purple raindrop to sides direction
25	Cyan scan lamp back-for-ward direction	72	White raindrop to sides direction
26	Purple scan lamp back-for-ward direction	73	Seven color raindrop to middle direction
27	White scan lamp back-for-ward direction	74	Red raindrop to middle direction
28	Seven color trail back-for-ward direction	75	Green raindrop to middle direction
29	Red trail back-for-ward direction	76	Blue raindrop to middle direction
30	Green trail back-for-ward direction	77	Yellow raindrop to middle direction
31	Blue trail back-for-ward direction	78	Cyan raindrop to middle direction

32	Yellow trail back-for-ward direction	79	Purple raindrop to middle direction
33	Cyan trail back-for-ward direction	80	White raindrop to middle direction
34	Purple trail back-for-ward direction	81	Seven color jump process forward direction
35	White trail back-for-ward direction	82	Red process forward direction
36	Seven color breathing lamp to middle direction	83	Green process forward direction
37	Red breathing lamp to middle direction	84	Blue process forward direction
38	Green breathing lamp to middle direction	85	Yellow process forward direction
39	Blue breathing lamp to middle direction	86	Cyan process forward direction
40	Yellow breathing lamp to middle direction	87	Purple process forward direction
41	Cyan breathing lamp to middle direction	88	White process forward direction
42	Purple breathing lamp to middle direction	89	Seven color jump process backward direction
43	White breathing lamp to middle direction	90	Seven color process forward direction
44	Seven color breathing lamp to sides direction	91	Seven color left-right jump flash
45	Red breathing lamp to sides direction	92	Three basic color wave forward direction
46	Green breathing lamp to sides direction	93	Three basic color wave backward direction
47	Blue breathing lamp to sides direction	94	Auto play 1~93

## Safety Information

- Supply voltage of this product is DC12V never connect to other high voltage.
- never connect two wires directly in case of short circuit.
- Lead wire should be connected correctly according to colors that connecting diagram.
- Warranty of this product is one year, but exclude the artificial situation of damaged.