

Knob Switch Single Color LED Dimmer Manual

Product Specifications

Model Name: LP-T1



This product warranty is 2 years (exclude the artificial situation of damaged or overload working)

Before installing this product, Please read this manual carefully. Ensure full understanding of this specification to avoid unnecessary damage and additional costs.

Product Description

Single color dimmer can achieve stepless dimming. It adopts the knob control manner. According to actual needs, users can transfer the light to the appropriate brightness.

External Dimension

(Controller)



(Packing size)

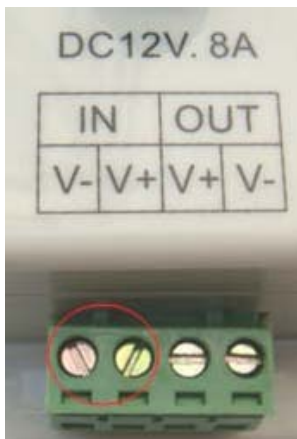


Technical Parameters

Working temperature	-20-60°C
Supply voltage	DC5V, 12V~24V optional (specify the required voltage on orders)
Output	1 channel
External dimension	L89*W59*H35 mm
Packing size	L106*W64*H56 mm
Net weight	80g
Gross weight	90g
Static power consumption	<1W
Output current	<8A
Output power	5V:<40W, 12V:<96W, 24V:<192W

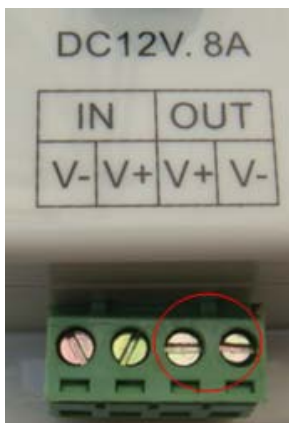
Interface Specifications

Power input interface:



Adopt male and female connector with screw.

Load output interface:



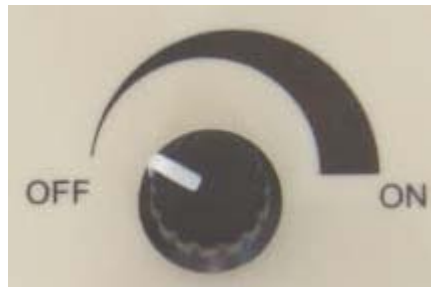
Adopt male and female connector with screw.

Direction for use

- Connect the load wire at first, following by the power wire; **Please ensure short circuit can not occur between connecting wire before you turn on the power;**
- Adopt rotary button, its function as follows:

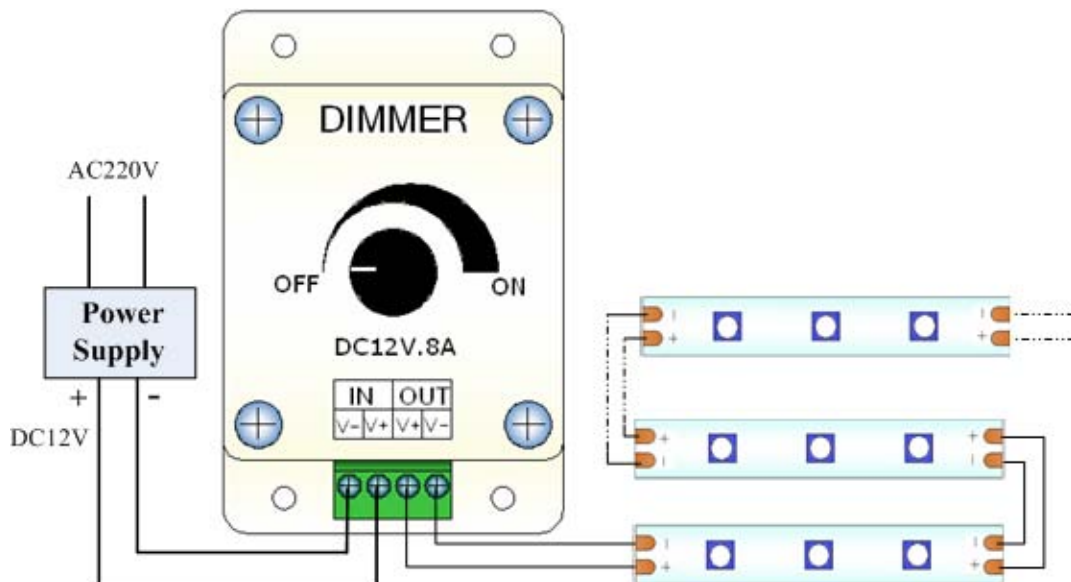
Rotate button to the right, brightness will be brighter, when you rotate it to the far right, the brightness is greatest.

Rotate button to the left, brightness will be darker, when you rotate it to the far left, the light will be turned off.



Typical Applications

Application Circuit:





Notes

1. Supply voltage of this product is DC12V~24V, never connect to others or AC220V.
2. Lead wire should be connected correctly according to grade that connecting diagram offers.
3. This product is not to overload;
4. Warranty of this product is two year, but exclude the artificial situation of damaged or overload working.

Common Problems

Problems	Possible cause	Solution
1. Lamp does not light after power	Power cord is not properly connected, or there is not output switching power supply	Connect the power cord properly or replay the power
	Lamp power cord is not connected or short circuit	Connected lighting power cord
2. After connecting some of the load the controller does not work	The connected load is too large, so that it has burned in some of the components of the controller	Replace parts of components or replace the controller