

RF Single color Wireless LED Remote Control Dimmer Manual

Product Specifications

Model Name: LP-RF-T1



This product warranty is 2 years (exclude the artificial situation of damaged or overload working)

Before installing this product, Please read this manual carefully. Ensure full understanding of this specification to avoid unnecessary damage and additional costs.

Product Description

RF Single color dimmer is a controller that can adjust brightness infinitely and change to flash, its control mode is wireless control, you could adjust light to the appropriate lighting brightness in accordance with your actual need.

External Dimension

(Controller)



(Remote control)



(Packing size)



Technical Parameters

Working temperature	-20-60°C
Supply voltage	DC12V~24V
Output	1 channel
External dimension	L115*W56*H34 mm
Packing size	L121*W85*H46 mm
Net weight	100g
Gross weight	112g
Static power consumption	<1W
Output current	<8A
Output power	5V:<40W, 12V:<96W, 24V:<192W

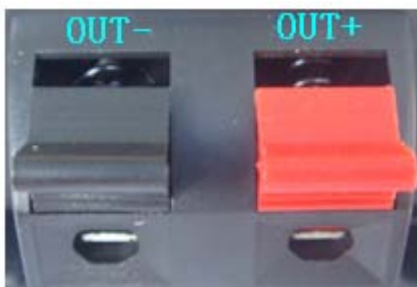
Interface Specifications

Power input interface:



Adopt red and black clips for interface




Load output interface:



Adopt red and black clips for output interface

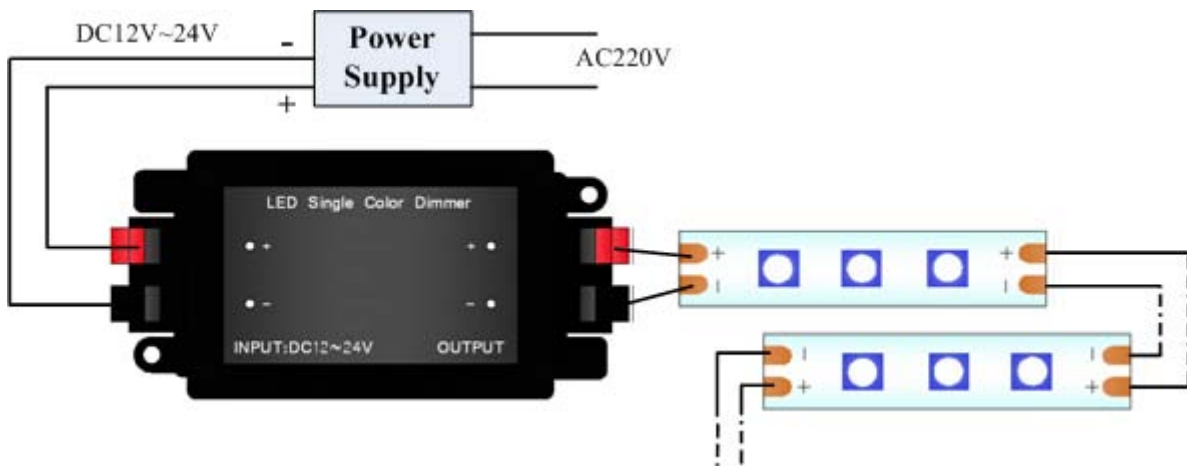
Direction for use

- Connect the load wire at first, following by the power wire; **Please ensure short circuit can not occur between connecting wire before you turn on the power;**
- Adopt wireless control, each press, the light flash one time, its function as follows:

Symbol	Button Name	Instruction
	Brightness up	When the controller is on, press this key to increase the brightness of the output load.
	Brightness down	When the controller is on, press this key to increase the brightness of the output load.
	On/off	The output switch, turn on or off the controller output at any state.

Typical Applications

Application Circuit:



Notes

1. Supply voltage of this product is DC12V~24V, never connect to others or AC220V.
2. Lead wire should be connected correctly according to grade that connecting diagram offers.
3. This product is not to overload;
4. Warranty of this product is two year, but exclude the artificial situation of damaged or overload working.

Common Problems

Problems	Possible cause	Solution
1. Lamp does not light after power	Power cord is not properly connected, or there is not output switching power supply	Connect the power cord properly or replay the power
	Lamp power cord is not connected or short circuit	Connected lighting power cord
2. After connecting some of the load the controller does not work	The connected load is too large, so that it has burned in some of the components of the controller	Replace parts of components or replace the controller